

## Suspension systems for combination tools

### Tool suspension systems

#### Balance arms

A balance arm counterbalances a strapping tool for easy positioning on or against a package. Each balance arm is designed for specific combination tools.

The inside spring counterbalances the tool so well that only a light touch from the operator will move the tool where needed. The base of the tool remains parallel to the package.

See chart below for the adaptor needed to secure the tool to the balance arm.

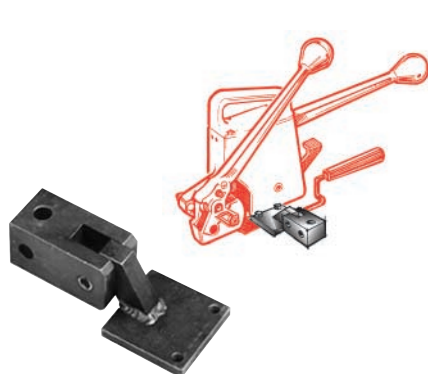
#### Suspension systems selection table

Strapping Tool	Balance Arm	Part Number	Adaptor Part Number
<b>Plastic Strapping Tools</b>			
AMPT	BA-21A	005630	020745
AMT	BA-16A	005705	020745
AST			008694
<b>Steel Strapping tools</b>			
AL	BA-8	005715	008694
AM	BA-16A	005705	008694
AMP-1	BA-21A	005630	020745
SPC-3431			306478

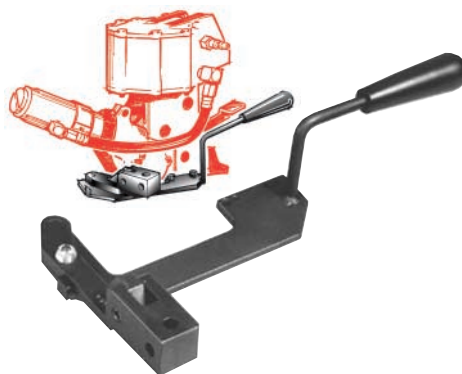
### Universal suspension brackets and hooks

Universal suspension brackets and hooks are used to suspend combination tools in their working positions from overhead tool balancers. By keeping tools within easy reach, you can save time and effort, and generally speed the strapping operation.

Strapping Tool	Suspension Device	Part Number
NSP, PN-2-114 RCNS2	Shackle	010734
FN-114T	Hanger Assembly	009019
AM, AMP-1 (AM requires 005595 adaptor)	Skid hook: 8" (203 mm) 11" (279 mm) 15" (381 mm)	005228 005195 005230
AH	Suspension Bracket	001564
AL		023390
AM		023385
AMP-1		011426
PRHR		177742
PNSC	Eye Bolt Mount	023091
PRHM	Balancer	606603
SPC-3431	Carrying Handle	306357



Adaptor Part No. 8694A



Adaptor Part No. 20745A

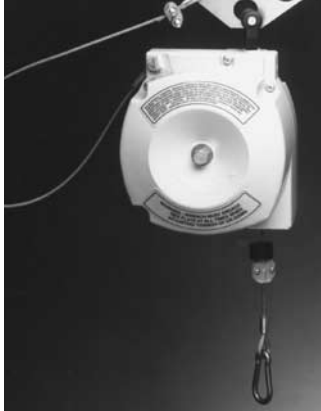


Part No. 5680A  
Balance arm stop assembly to stop arm at a fixed height.

## For plastic and steel strapping

### Overhead tool balancers

Tool balancers are the easiest and most efficient way to suspend strapping tools from a fixed ceiling bracket, monorail, jib or bridge crane.



**BFL-9**  
Part No. 423283\*  
6-9 lbs. (2.7-4.1 kg),  
6.6 ft. (2 m) cable travel



**EB2500R**  
Part No. 485001\*  
18-25 lbs. (8.2-11.4 kg),  
6.6 ft. (2 m) cable travel



**10FLR**  
Part No. 485010  
4-10 lbs. (1.8-4.5 kg),  
8 ft. (2.4 m) cable travel

**BFL-13**  
Part No. 306809\*  
9-13 lbs. (4.1-5.9 kg),  
6.6 ft. (2 m) cable travel

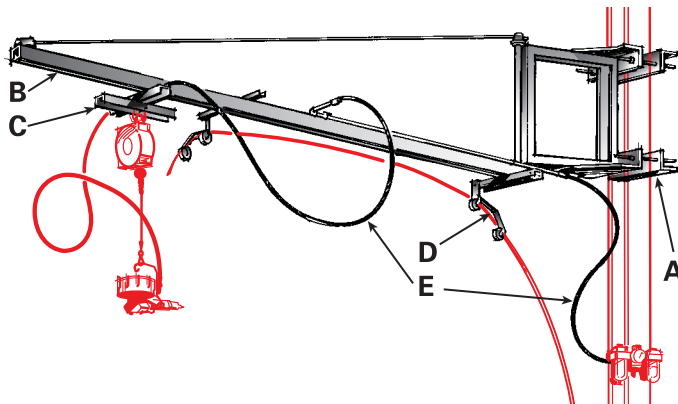
**EB3500R**  
Part No. 485002  
25-35 lbs. (11.3-15.9 kg),  
6.6 ft. (2 m) cable travel

**15FLR**  
Part No. 485011  
8-15 lbs. (3.6-6.8 kg),  
8 ft. (2.4 m) cable travel

**BFL-18**  
Part No. 423278\*  
13-18 lbs. (5.9-8.2 kg),  
6.6 ft. (2 m) cable travel

**EB4500R**  
Part No. 485003  
35-45 lbs. (15.9-20.5 kg),  
6.6 ft. (2 m) cable travel

\* Ratchet lock halts cable at desired position, prevents creep. The lock can be released by a tug and can also be disengaged.



### Jib crane

Signode's JN-15, Part No. 084165, is a 15 ft. (4.6 m) jib crane used to suspend pneumatic combination tools overhead. It handles steel strapping in widths up to 1-1/4" (31.8 mm).

- A. Post mounting bracket
- B. Enclosed trolley track
- C. Tool carrier assembly
- D. Strap guide rollers
- E. Air line components